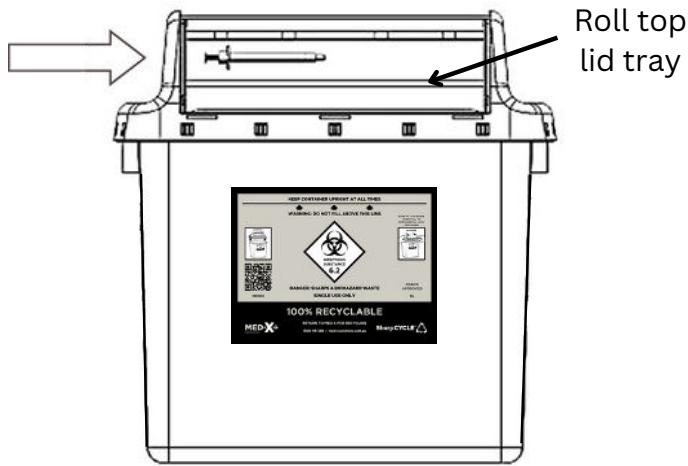




Med-X Usage Instructions

For Sharps Container Models **MXG** | **MXPH** | **MXCT** (8L, 14L & 25L variants)

1. Usage



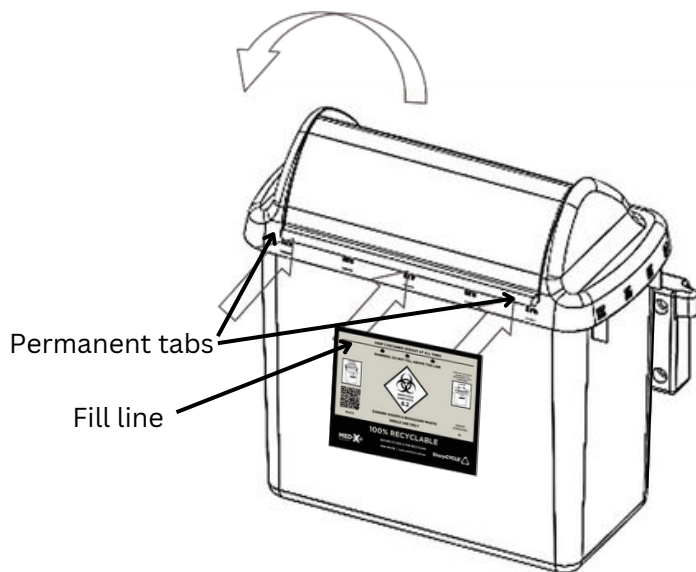
Container front

Drop sharp(s) horizontally into the safety tray, or use kidney dish to empty sharps into container tray.

The roll top tray will automatically deposit sharps into the container.

Always check to see that there are no sharps remaining in the safety tray.

2. Fill & Lock



When the container contents have reached the fill line, the rotating lid will remain in a temporary closed position indicating the container is full.

Note: As a safety feature, the tray will not return to the open position when the container is full.

Push the tilt lid down on the front left and right corners to permanently lock the container.

An audible click should be heard when the permanent tabs lock into place.

The container is now ready to be removed from the wall bracket.

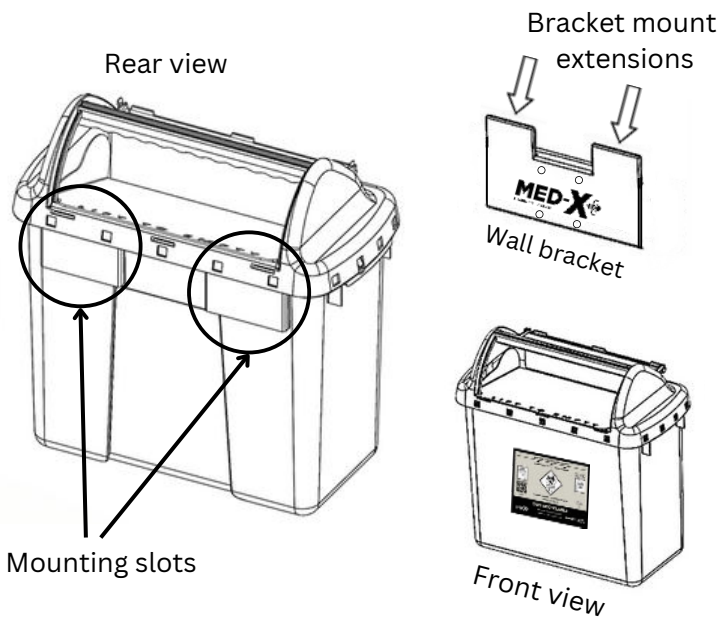




Med-X Mounting Instructions

For Sharps Container Models **MXG** | **MXPH** | **MXCT** (8L, 14L & 25L variants)

1. Wall/Trolley Mounting

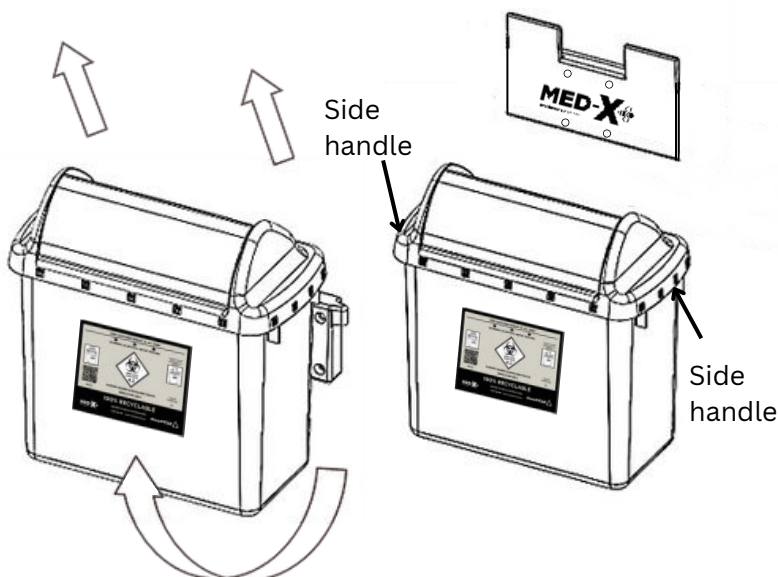


Remove cardboard supports from the mounting slots at the back of the container.

Lift and hold container up to the wall/trolley bracket, while lining up the rear mounting slots to just above the bracket mount extensions.

Slide the container downwards ensuring the bracket mount extensions are firmly engaged in the container's mounting slots.

2. Removal From Bracket



Remove the container from the wall/trolley bracket by holding the container by the handles on either side and lifting upwards.

